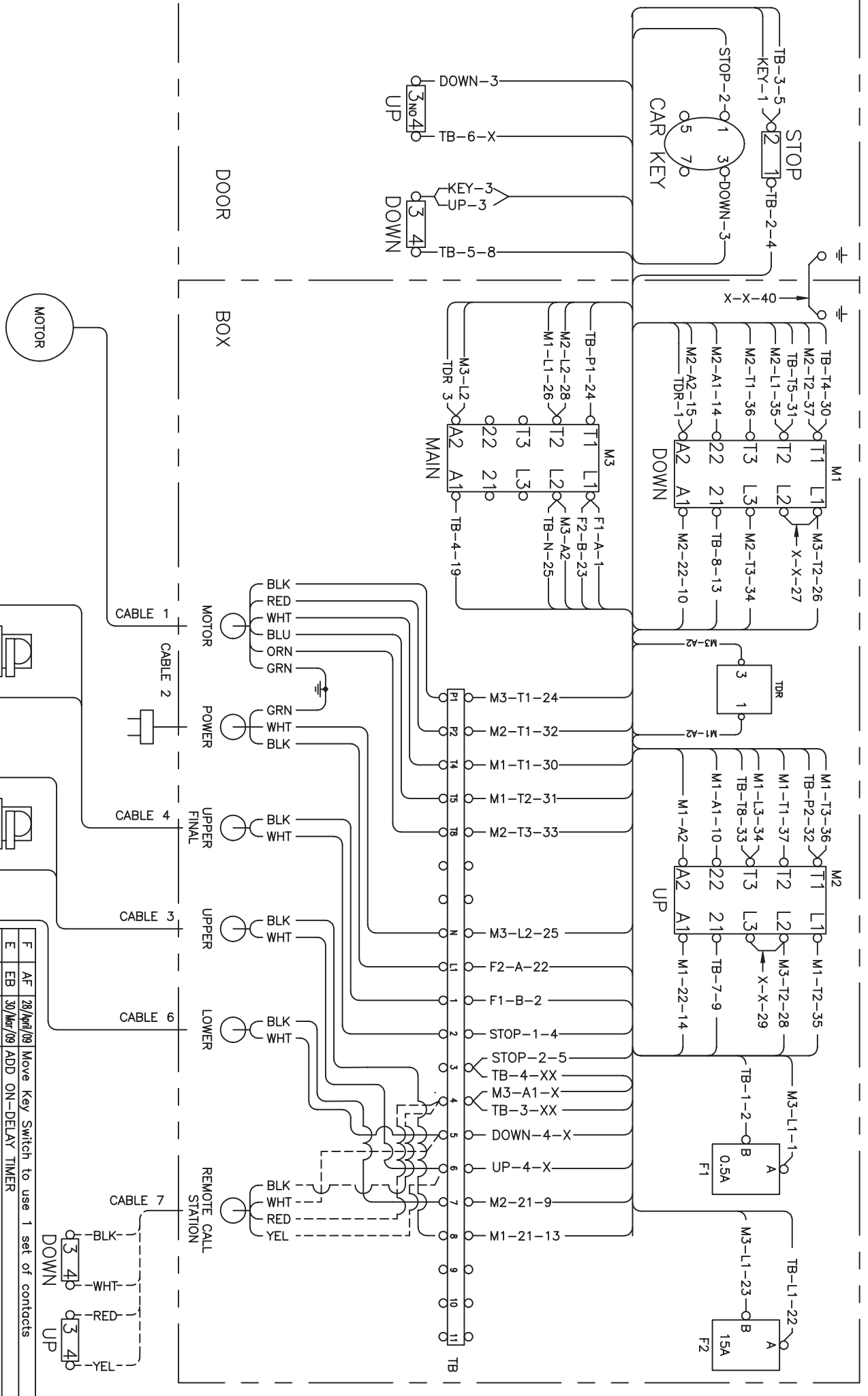


CONTROL PANEL



LEGEND

- M3-A2-16 WIRE NUMBER
- TERMINAL NUMBER (DESTINATION)
- EQUIPMENT I.D. (DESTINATION)
- OPTIONAL WIRING FOR CALL BUTTONS

RAM MANUFACTURING LTD.		TRUS-T-LIFT	
DWN. BY: B. HANNAH		STANDARD CONFIGURATION	
CHECKED BY:		WIRING DIAGRAM	
SCALE: N.T.S.	DATE: 25/09/97	DRAWING No. WMBTE001	REV F

REV	BY	DATE	DESCRIPTION
F	AF	28/Apr/08	Move Key Switch to use 1 set of contacts
E	EB	30/Mar/09	ADD ON-DELAY TIMER

