

TRUS-T-LIFT DIMENSIONS

JOB No.	TOTAL TRAVEL	144	INCHES	No. OF LANDINGS	2
---------	--------------	-----	--------	-----------------	---

LOCATION UNENCLOSED COMMERCIAL TRUS<T>LIFT SAMPLE DRAWING

ARCHITECT

GENERAL CONTRACTOR

SPECIFICATIONS:

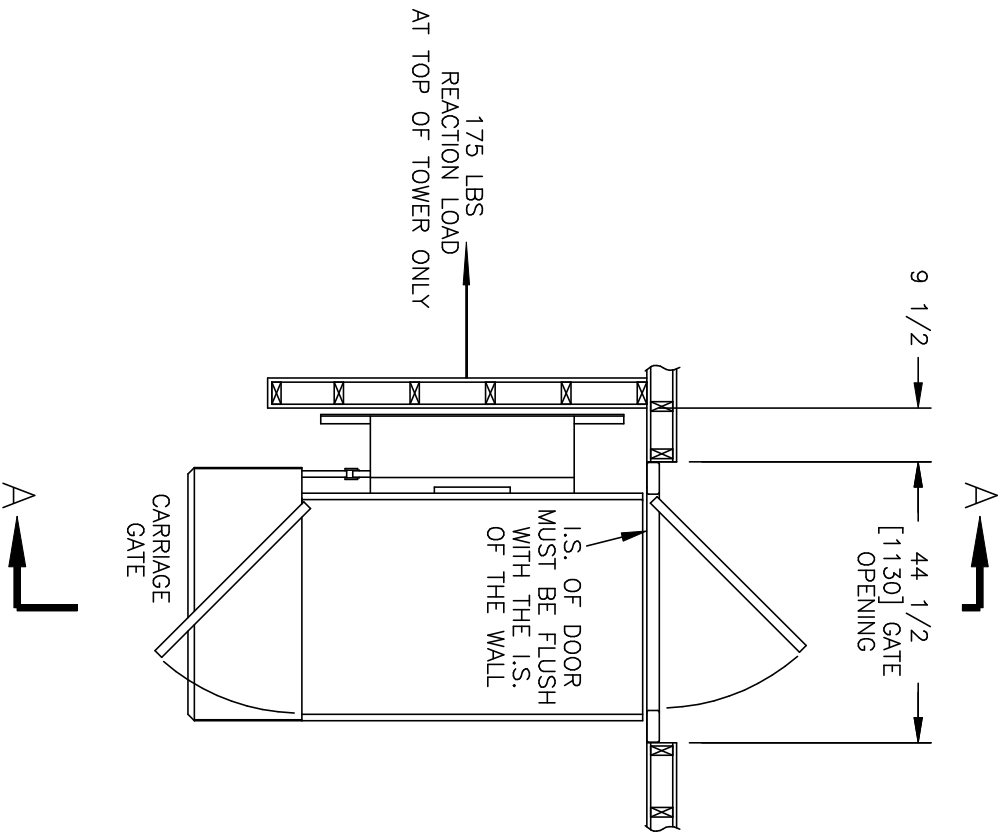
- 34" x 54" [864 mm x 1372 mm] LIFT PLATFORM
- 48" x 54" [1219 mm x 1372 mm] FOOTPRINT
- 164" HEIGHT
- 0" - 144" LIFT RANGE
- MAXIMUM LOAD 550 lbs [250 kg].
- 8 FEET/MINUTE [2.4 METRES/MINUTE] LIFT SPEED
- SCREW NUT WORM GEAR DRIVE
- MOTOR: 1/2 H.P. 110V A.C.
- POWER SUPPLY: 110V/1PH/60HZ C/W 15A FUSED DISCONNECT
- NON-LOAD BEARING BACKUP SAFETY NUT ON LIFT SHAFT
- SAFETY HANDRAIL ON CARRIAGE
- ZERO-LOAD START IN BOTTOM POSITION
- SOLID DECK WITH UNDER PLATFORM SAFETY PLATE
- UPPER GATE C/W INTERLOCK

<input type="checkbox"/> Accepted as Shown
<input type="checkbox"/> Revise and Resubmit
<input type="checkbox"/> Accepted as Modified
Date: _____
Per: _____

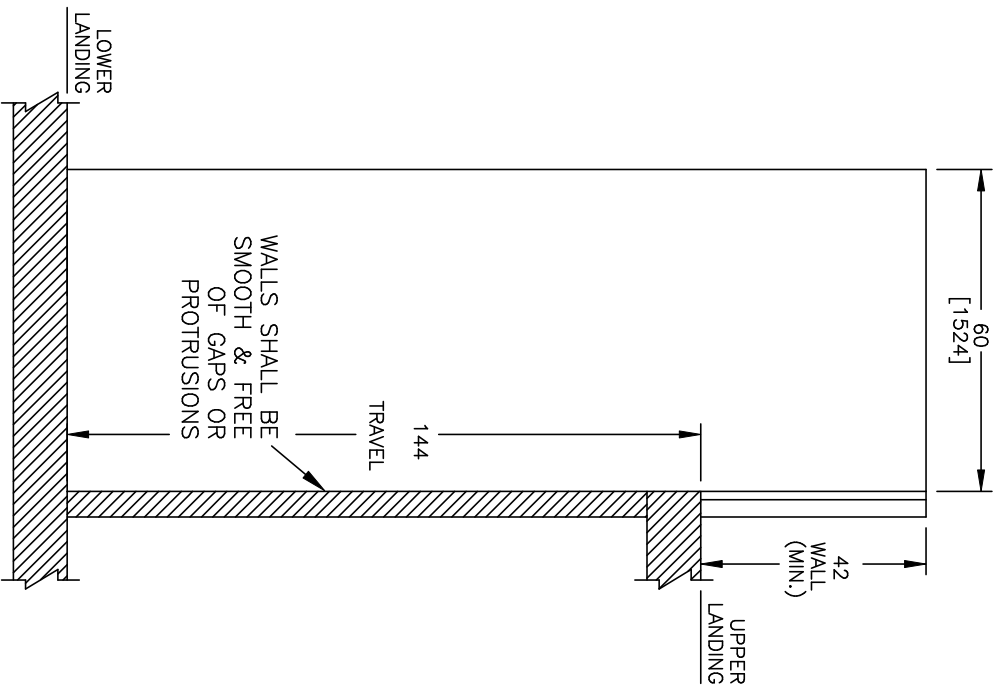
NOTES:
 - Dimensions are in inches and [mm]
 - Designed and built to meet ANSI-A17.1 PART XX Safety Code



DWN. BY: B. HANNAH	TRUS-T-LIFT ELEVATOR INSTALLATION DETAILS AND SPECIFICATIONS
CHECKED BY:	
SCALE: N.T.S.	DATE: 17/12/03
	DRAWING No. T1-A-1201CLGNC 1/2
	REV A



PLAN VIEW SECTION



SECTION A-A

JOB No.	S120	TOTAL TRAVEL	144	INCHES	No. OF LANDINGS	2
---------	------	--------------	-----	--------	-----------------	---

LOCATION UNENCLOSED COMMERCIAL TRUS-T-LIFT
SAMPLE DRAWING

ARCHITECT

GENERAL CONTRACTOR

TRUS-T-LIFT

DWN. BY: B. HANNAH
CHECKED BY:

TRUS-T-LIFT ELEVATOR
INSTALLATION DETAILS
AND SPECIFICATIONS

SCALE: N.T.S.

DATE: 17/12/03

DRAWING No. T1 - A - 12002LUSMC 2/2

REV A