

TRUS-T-LIFT DIMENSIONS

TOTAL TRAVEL	52	INCHES	No. OF LANDINGS	2
LOCATION	UNENCLOSED TRUS-T-LIFT ADJACENT ACCESS WITH CARRIAGE GATE SAMPLE INSTALLATION			
ARCHITECT				
GENERAL CONTRACTOR				

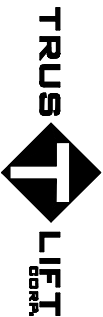
SPECIFICATIONS:

- 40" x 54" LIFT PLATFORM
- 54" x 54" FOOTPRINT
- 72" HEIGHT
- 0" - 52" LIFT RANGE
- MAXIMUM LOAD 550 lbs.
- 8 FEET/MINUTE LIFT SPEED
- SCREW NUT WORM GEAR DRIVE
- MOTOR: 1/2 H.P. 110V A.C.
- POWER SUPPLY: 110V/1PH/60HZ C/W 15A FUSED DISCON.
- NON-LOAD BEARING BACKUP SAFETY NUT ON LIFT SHAFT
- SAFETY HANDRAIL ON CARRIAGE
- ZERO-LOAD START IN BOTTOM POSITION
- SOLID DECK C/W SAFETY PAN

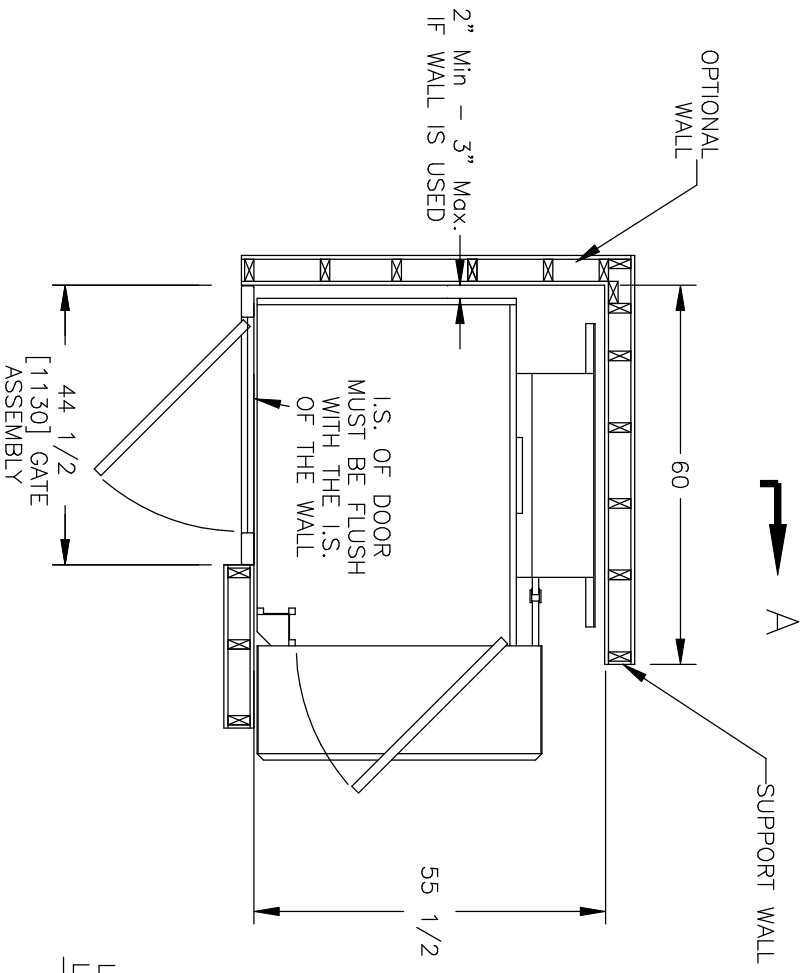
<input type="checkbox"/> Accepted as Shown
<input type="checkbox"/> Revise and Resubmit
<input type="checkbox"/> Accepted as Modified
Date: _____
Per: _____

NOTES:

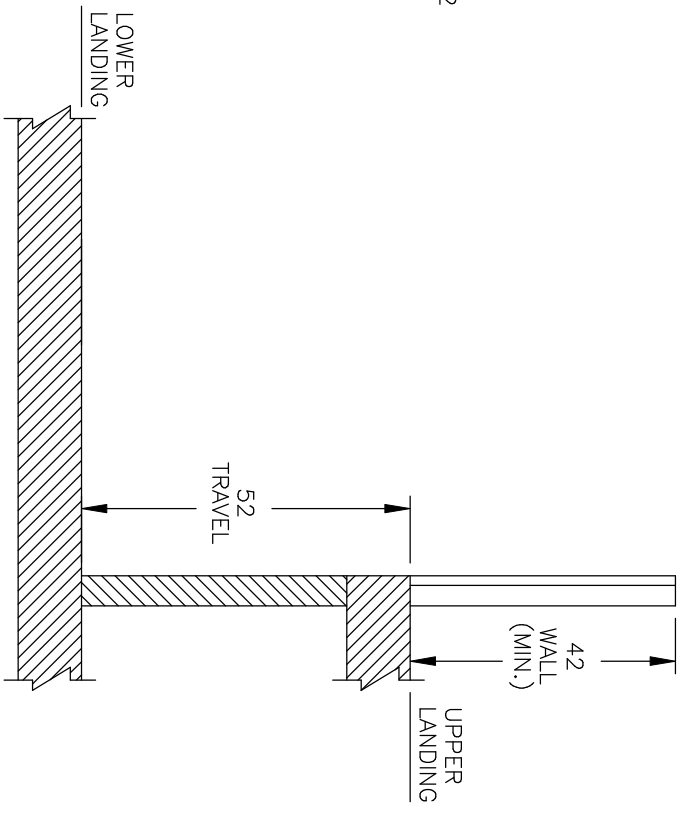
- Dimensions are in inches
- ASME A17.1 1996 Part XXI Safety Code &
- Designed and built to meet CSA B355-94 Safety Code




DWN. BY: B. HANNAH	TRUS-T-LIFT ELEVATOR INSTALLATION DETAILS AND SPECIFICATIONS
CHECKED BY:	
SCALE: N.T.S.	DATE: 1 / 6 / 04
	DRAWING No. 52UCRUGNCA
	REV A



PLAN VIEW SECTION



SECTION A-A

TOTAL TRAVEL	52	INCHES	No. OF LANDINGS	2
LOCATION	UNENCLOSED TRUS->LIFT ADJACENT ACCESS WITH CARRIAGE GATE SAMPLE INSTALLATION			
ARCHITECT				
GENERAL CONTRACTOR				
DWN. BY:		 TRUS-T-LIFT ELEVATOR INSTALLATION DETAILS AND SPECIFICATIONS		
CHECKED BY:				
SCALE:		DATE:		DRAWING No.
N.T.S.		1 / 6 / 04		52UCRUGNCA
				REV A