

**TRUS-T-LIFT DIMENSIONS**

JOB No.	TOTAL TRAVEL	52	INCHES	No. OF LANDINGS	2
LOCATION	UNENCLOSED TRUS<T>LIFT SAMPLE DRAWING				
ARCHITECT					
GENERAL CONTRACTOR					

**SPECIFICATIONS:**

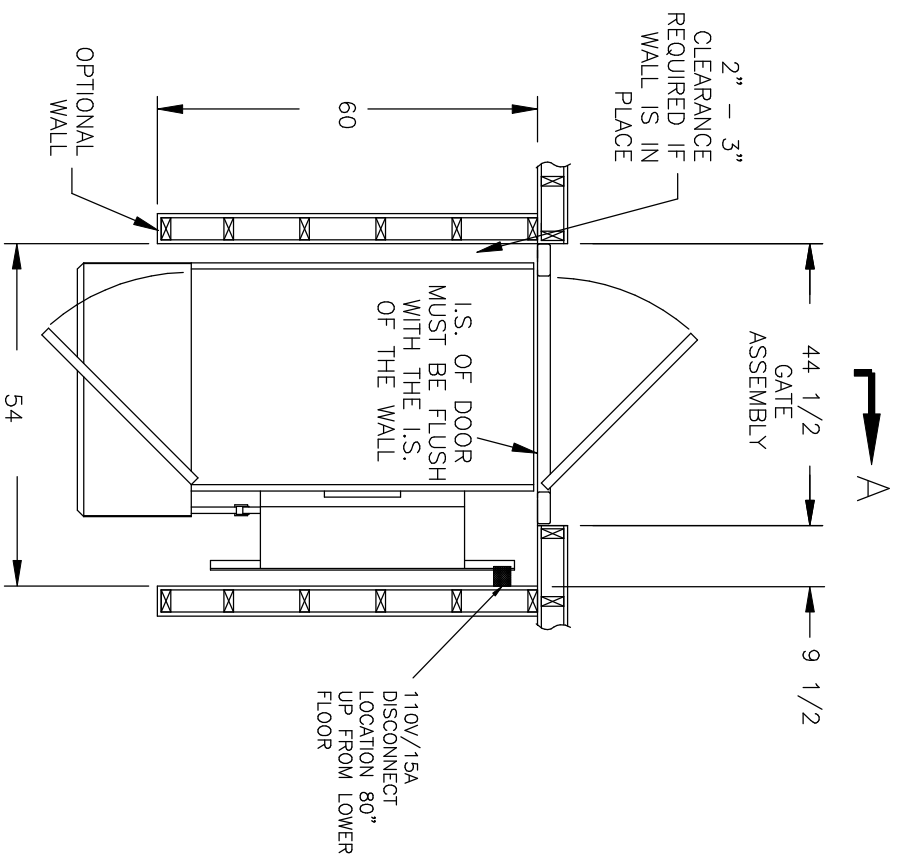
- 34" x 54" LIFT PLATFORM
- 48" x 54" FOOTPRINT
- 72" TOWER HEIGHT
- 0" - 52" LIFT RANGE
- MAXIMUM LOAD 550 lbs.
- 8 FEET/MINUTE LIFT SPEED
- 350 lb. SHIPPING WEIGHT
- SCREW NUT WORM GEAR DRIVE
- MOTOR: 1/2 H.P. 110V A.C.
- POWER SUPPLY: 110V/1PH/60HZ C/W 15A FUSED DISCONNECT
- NON-LOAD BEARING BACKUP SAFETY NUT ON LIFT SHAFT
- SAFETY HANDRAIL ON CARRIAGE
- ZERO-LOAD START IN BOTTOM POSITION
- SOLID DECK WITH UNDER PLATFORM SAFETY PLATE
- UPPER GATE C/W INTERLOCK
- CARRIAGE GATE C/W INTERLOCK

<input type="checkbox"/> Accepted as Shown <input type="checkbox"/> Revise and Resubmit <input type="checkbox"/> Accepted as Modified Date: _____ Per: _____
--

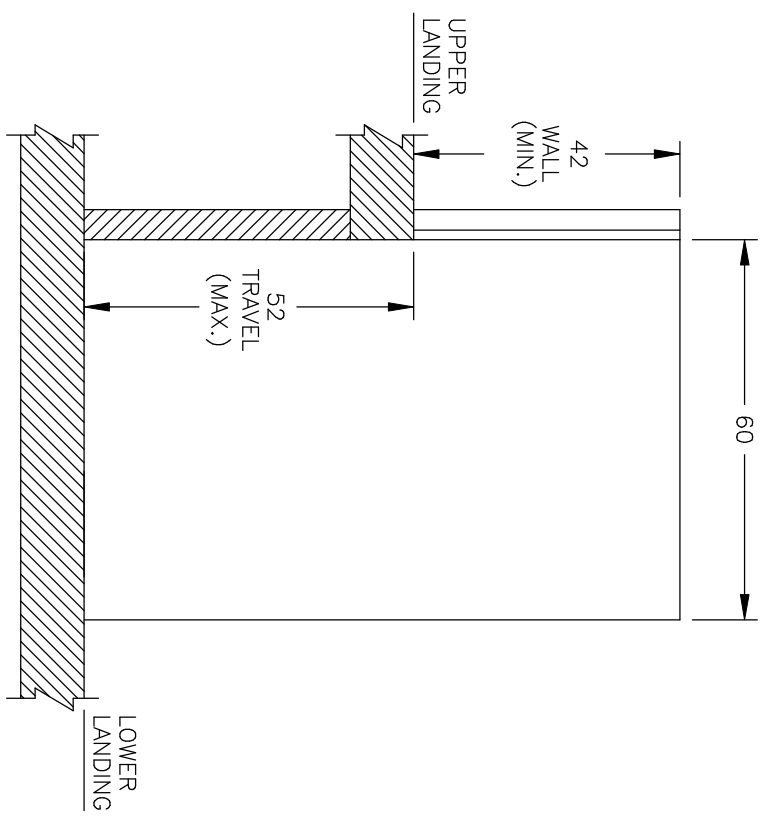
NOTES:  
 - Dimensions are in inches  
 - Designed and built to meet ASME-A17.1 Safety Code Part XX



DWN. BY: B. HANNAH	TRUS-T-LIFT ELEVATOR INSTALLATION DETAILS AND SPECIFICATIONS		
CHECKED BY:			
SCALE: N.T.S.	DATE: 26/04/04	DRAWING No. 52UCRUGNC	REV A



PLAN VIEW SECTION



SECTION A-A

JOB No.	TOTAL TRAVEL	INCHES	No. OF LANDINGS
	52	mm	2

LOCATION UNENCLOSED TRUS<T>LIFT  
SAMPLE DRAWING

ARCHITECT

GENERAL CONTRACTOR



DWN. BY:  
B. HANNAH

CHECKED BY:

TRUS-T-LIFT ELEVATOR  
INSTALLATION DETAILS  
AND SPECIFICATIONS

SCALE: N.T.S.

DATE: 26/04/04

DRAWING No. 52UCRUGNC

REV A