


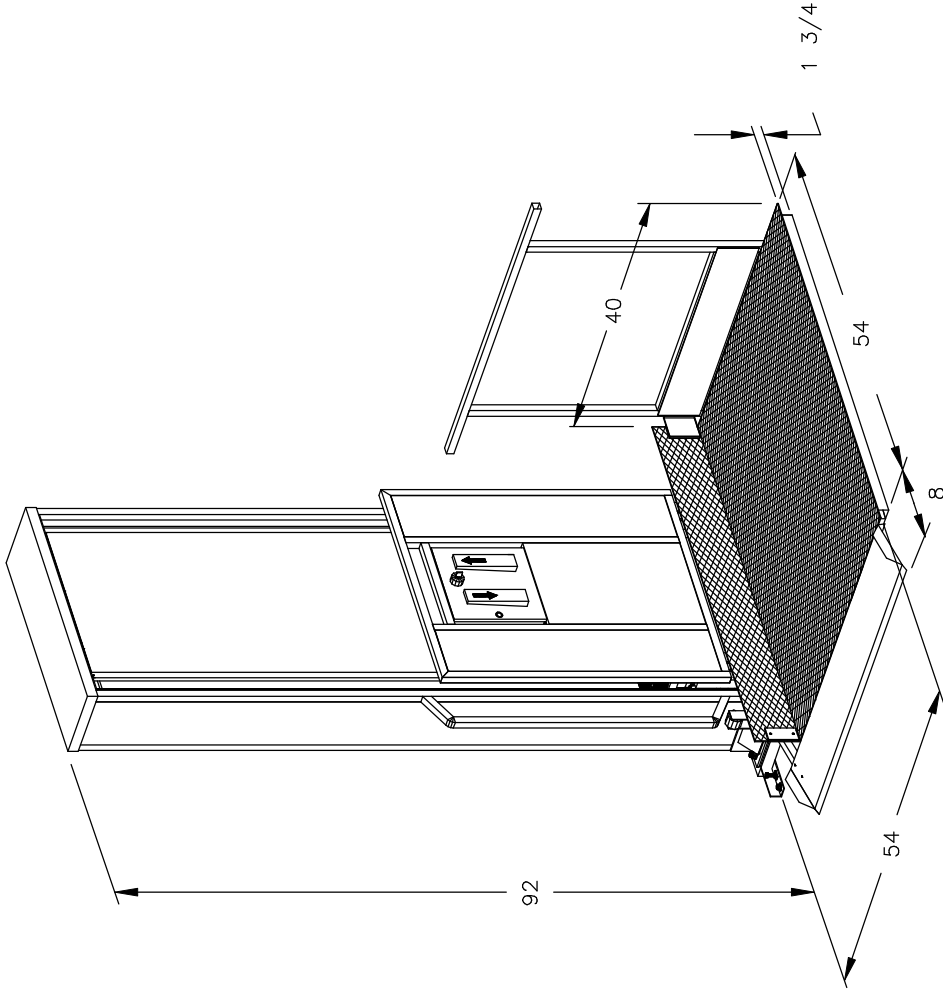
PLAN VIEW SECTION

SECTION A-A

| | | | |
|---|--|--|--|
| TOTAL TRAVEL | | 72 | |
| LOCATION | | UNENCLOSED RESIDENTIAL TRUS<T>LIFT ADJACENT ACCESS SAMPLE DRAWING | |
| ARCHITECT | | | |
| GENERAL CONTRACTOR | | | |
| TRUS  LIFT | | TRUS-T-LIFT INSTALLATION DETAILS | |
| DWN. BY: B.H. | | DATE: 24/03 /05 | |
| CHECKED BY: | | DRAWING No. 72URLUNNA | |
| SCALE: N.T.S. | | REV 2/2 | |

SPECIFICATIONS:

- 40" x 54" LIFT PLATFORM
- 54" x 54" FOOTPRINT
- 92" HEIGHT
- 0" - 72" LIFT RANGE
- MAXIMUM LOAD 550 lbs [250 kg].
- 8 FEET/MINUTE [2.4 METRES/MINUTE] LIFT SPEED
- SCREW NUT WORM GEAR DRIVE
- MOTOR: 1/2 H.P. 110V A.C.
- POWER SUPPLY: 110V/1PH/60HZ C/W 15A FUSED DISCONNECT
- NON-LOAD BEARING BACKUP SAFETY NUT ON LIFT SHAFT
- SAFETY HANDRAIL ON CARRIAGE
- ZERO-LOAD START IN BOTTOM POSITION



| |
|---|
| <input type="checkbox"/> Accepted as Shown |
| <input type="checkbox"/> Revise and Resubmit |
| <input type="checkbox"/> Accepted as Modified |
| Date: _____ |
| Per: _____ |

NOTES:
- Dimensions are in inches

TRUS-T-LIFT DIMENSIONS

| | | | |
|--------------------|---|-----------------|---------------------------|
| | | | |
| TOTAL TRAVEL | 72 | No. OF LANDINGS | 2 |
| LOCATION | UNENCLOSED RESIDENTIAL TRUS<T>LIFT ADJACENT ACCESS SAMPLE DRAWING | | |
| ARCHITECT | TRUS-T-LIFT INSTALLATION DETAILS | | |
| GENERAL CONTRACTOR | SCALE: N.T.S. | DATE: 24/03 /05 | DRAWING No. 72URLUNNA 1/2 |
| | | | REV |