

TRUS-T-LIFT DIMENSIONS

JOB No.	TOTAL TRAVEL	72 [1829]	INCHES mm	No. OF LANDINGS	2
LOCATION	UNENCLOSED COMMERCIAL TRUS<T>LIFT SAMPLE DRAWING				
ARCHITECT					
GENERAL CONTRACTOR					

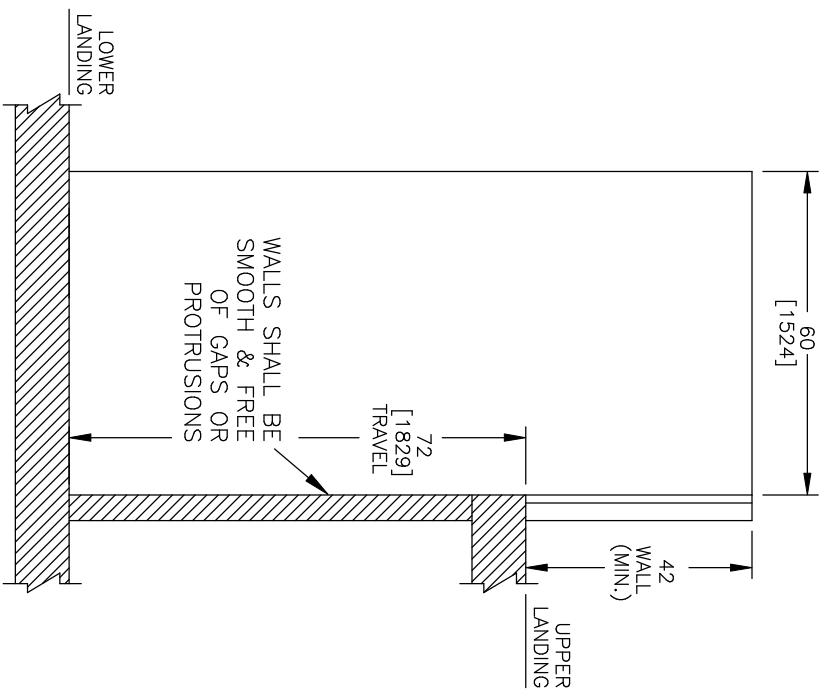
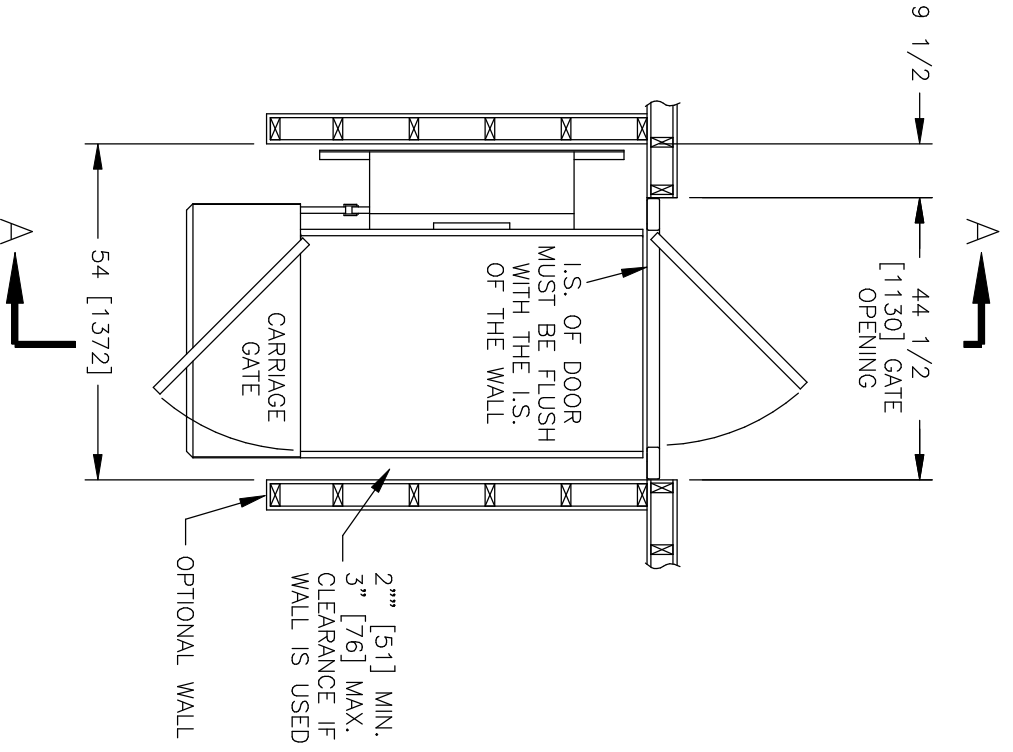
- SPECIFICATIONS:**
- 34" x 54" [864 mm x 1372 mm] LIFT PLATFORM
 - 48" x 54" [1219 mm x 1372 mm] FOOTPRINT
 - 92" [2337] HEIGHT
 - 0" - 72" [0mm -18298 mm] LIFT RANGE
 - MAXIMUM LOAD 550 lbs [250 kg].
 - 8 FEET/MINUTE [2.4 METRES/MINUTE] LIFT SPEED
 - SCREW NUT WORM GEAR DRIVE
 - MOTOR: 1/2 H.P. 110V A.C.
 - POWER SUPPLY: 110V/1PH/60HZ C/W 15A FUSED DISCONNECT
 - NON-LOAD BEARING BACKUP SAFETY NUT ON LIFT SHAFT
 - SAFETY HANDRAIL ON CARRIAGE
 - ZERO-LOAD START IN BOTTOM POSITION
 - SOLID DECK WITH UNDER PLATFORM SAFETY PLATE
 - UPPER GATE C/W INTERLOCK

NOTES:
 - Dimensions are in inches and [mm]
 - Designed and built to meet ASME-A17.1 PART XX Safety Code

<input type="checkbox"/> Accepted as Shown
<input type="checkbox"/> Revise and Resubmit
<input type="checkbox"/> Accepted as Modified
Date: _____
Per: _____


DWN. BY: B. HANNAH	TRUS-T-LIFT ELEVATOR INSTALLATION DETAILS AND SPECIFICATIONS
CHECKED BY:	
SCALE: N.T.S.	DATE: 6 / 10 / 04
	DRAWING No. T1- A - 720CLUNG 1/2
	REV A





PLAN VIEW SECTION

SECTION A-A

JOB No.	TOTAL TRAVEL	72 [1829] INCHES mm	No. OF LANDINGS	2
LOCATION	UNENCLOSED COMMERCIAL TRUS<T>LIFT SAMPLE DRAWING			
ARCHITECT				
GENERAL CONTRACTOR				
				
DWN. BY:		B. HANNAH		
CHECKED BY:				
TRUS-LIFT ELEVATOR INSTALLATION DETAILS AND SPECIFICATIONS				
SCALE:	DATE:		DRAWING No.	
N.T.S.	6 / 10 / 04		T1 - A - 720CLUCNC 1/2	
				REV A