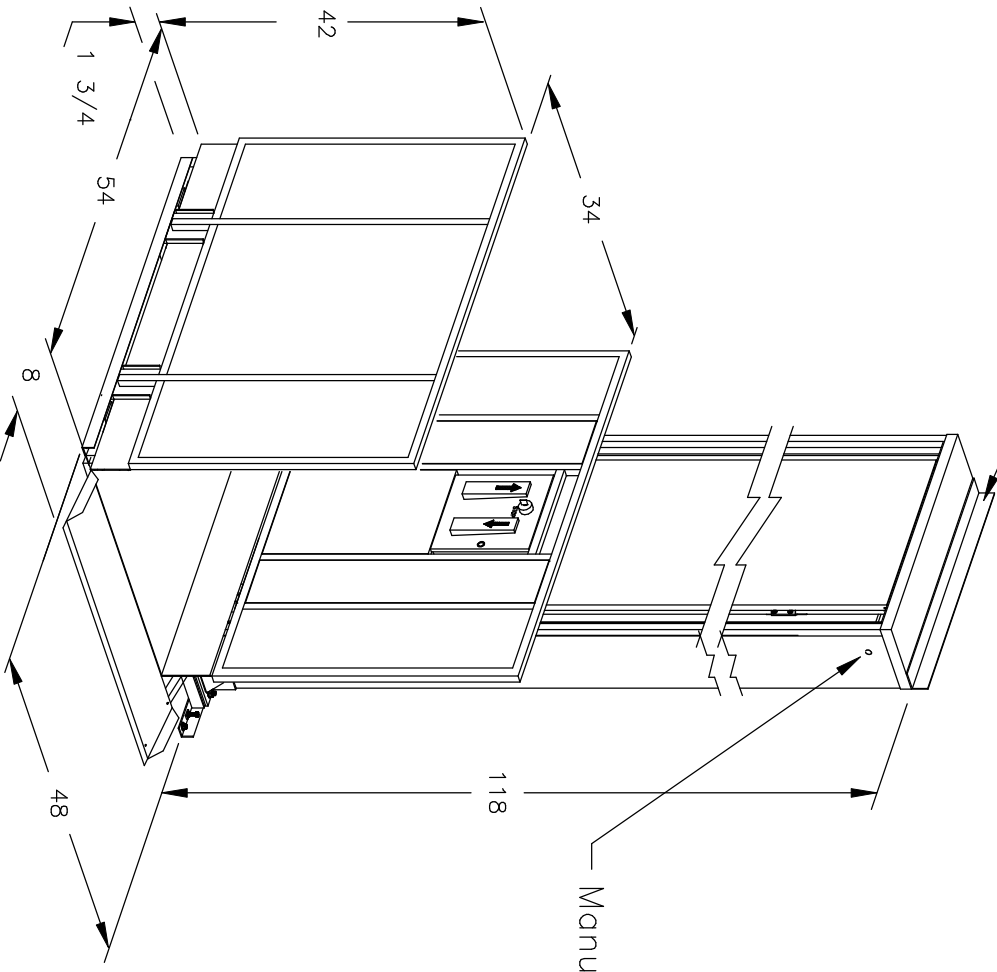


Support Tower to Building Structure



TRUS-T-LIFT DIMENSIONS

JOB No.	TOTAL TRAVEL	96	INCHES	No. OF LANDINGS	2
LOCATION	UNENCLOSED TRUS-T-LIFT SAMPLE DRAWING RESIDENTIAL LIFT				
ARCHITECT					
GENERAL CONTRACTOR					

SPECIFICATIONS:

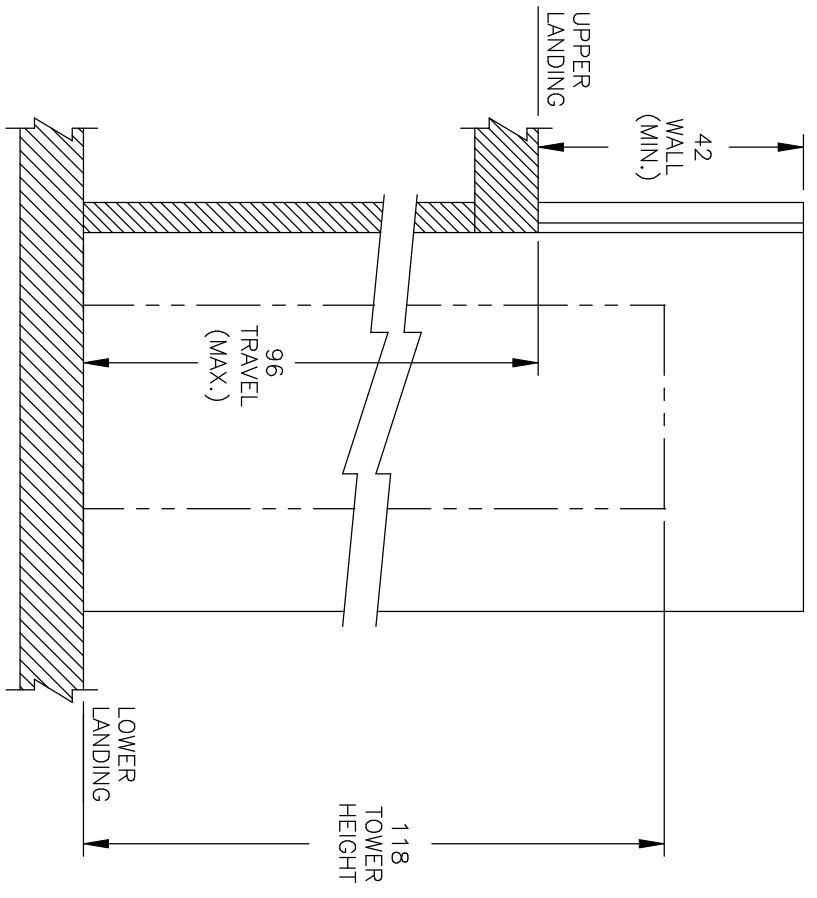
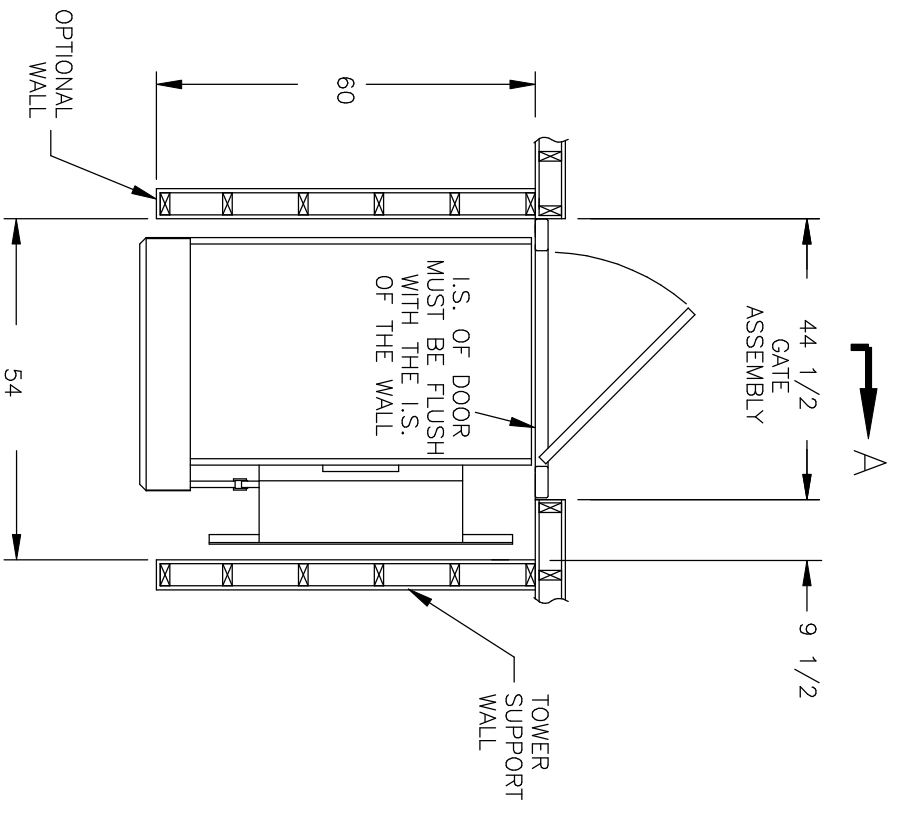
- 34" x 54" LIFT PLATFORM
- 48" x 54" FOOTPRINT
- 118" HEIGHT
- 0" - 96" LIFT RANGE
- MAXIMUM LOAD 550 lbs.
- 8 FEET/MINUTE LIFT SPEED
- SCREW NUT WORM GEAR DRIVE
- MOTOR: 1/2 H.P., 110V A.C.
- POWER SUPPLY: 110V/1PH/60HZ C/W 15A FUSED DISCON.
- NON-LOAD BEARING BACKUP SAFETY NUT ON LIFT SHAFT
- SAFETY HANDRAIL ON CARRIAGE
- ZERO-LOAD START IN BOTTOM POSITION

NOTES:
- Dimensions are in inches


<input type="checkbox"/> Accepted as Shown
<input type="checkbox"/> Revise and Resubmit
<input type="checkbox"/> Accepted as Modified
Date: _____
Per: _____

DWN. BY: B. HANNAH	TRUS-T-LIFT ELEVATOR INSTALLATION DETAILS AND SPECIFICATIONS
CHECKED BY:	
SCALE: N.T.S.	DATE: 07/06/04
	DRAWING No. 96URRUGNN 1/2
	REV A





JOB No.	TOTAL TRAVEL	96	INCHES	No. OF LANDINGS	2
LOCATION	UNENCLOSED TRUS-T>LIFT SAMPLEDRAWING RESIDENTIAL LIFT				
ARCHITECT					
GENERAL CONTRACTOR					

DWN. BY: B. HANNAH			TRUS-T-LIFT ELEVATOR INSTALLATION DETAILS AND SPECIFICATIONS
CHECKED BY:			
SCALE: N.T.S.	DATE: 07/06/04	DRAWING No. 96URRUGNN	REV A